



FIBER OPTIC

FEEDTHROUGH NPT-1/4"

Key Features

- No moving parts
- Support vacuum or pressure
- No epoxy or O'ring

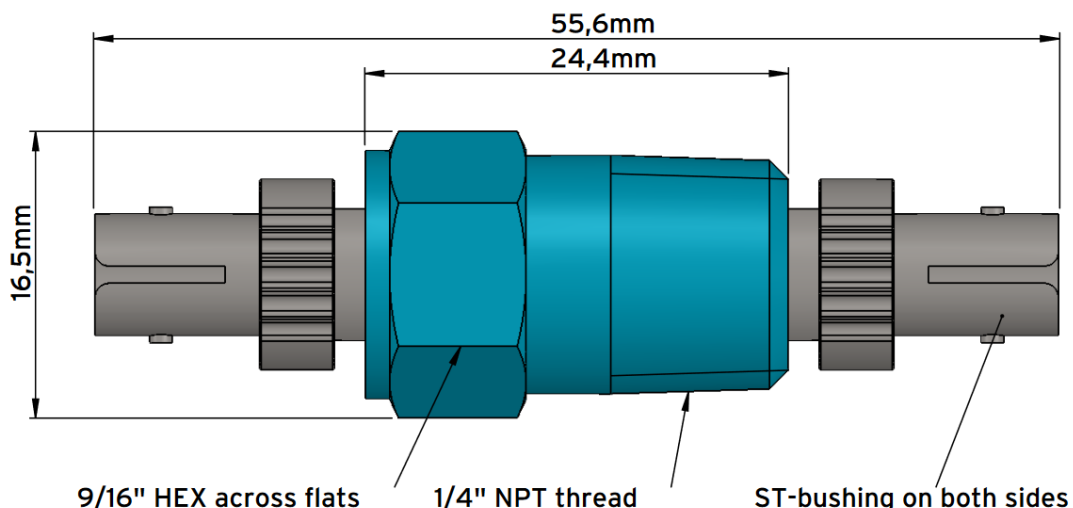
FEEDTHROUGH NPT-1/4"

DESCRIPTION

These optical feedthroughs are specifically designed for installation on tank walls and oil transformers. They have a leak-proof interface and require no maintenance. On both sides there are standard ST connector. There are no moving parts or loose optical cables. It is best combined with the TST2 or TST3 probes.

Temperature range	- 40 °C to 120 °C
Pressure	max. 200 bar (2900 PSI)
NPT Size	¼ MNPT ANS
Threads	Standard: ANSI / ASME B1.20.1 60° thread angle Optional: ISO-threads
Connector type	ST
Probes	Compatible with all WEIDMANN fiber optic temperature probes.

DIMENSIONS



DISCLAIMER – PLEASE READ CAREFULLY

This catalogue is based on Weidmann's knowledge as of the date of its publication. Instructions and explanations, while substantially accurate, are non-binding. Illustrations, specifications and average values are subject to change, do not guaranty actual product characteristics or specifications and are intended only to indicate possible uses of the Weidmann products. Customers alone must determine whether the products are suitable for their particular use and intended application and assume all risk and liability for unsafe or improper use or application. Weidmann shall not be liable for catalogue printing or other errors, for changes to Weidmann products or for any defects in the technical data or use of any information contained in the catalogue. Weidmann reserves the right always to revise the catalogue at any time, without notification. No part of this catalogue can form any part of or amend or alter any provision of any contract with respect to the Weidmann products. With respect to products in this catalogue, Weidmann disclaims all warranties, express or implied, including but not limited to, implied warranties of merchantability and fitness for a particular purpose. Weidmann shall not be liable for direct, indirect, special, incidental or consequential damages arising out of the purchase or use of products in this catalogue.